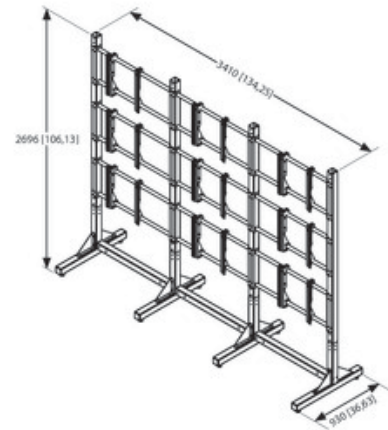


PFF 7815 Video wall floor stand, 3x3 for 55 inch

This sturdy three-by-three video wall stand is designed for specific 55 inch thin bezel displays.

Min. TV size (Inch)	55"
Max. TV size (Inch)	55"
Max. weight of TV (kg)	590
Guarantee	5 years



PFF 7815 Video wall floor stand, 3x3 for 55 inch

This mounting system completely breaks down to make shipping, handling, and moving much easier. Fine-tune alignment of each display provided by patent pending top adjustable mounting brackets.

Features

- Completely breaks down for easy transport
- For 55 inch displays
- Leveling, height, lateral and depth adjustment
- Special adjustment bolts for assuring the stand remains level
- Very strong construction
- VESA fitment min. 200x200 mm, max 600x400 mm
- Video wall floor stand for 3x3 displays

Logistic information

EAN Code Product	8712285323140
Net weight (kg)	260